

Modification instructions for:

# XO-DAC

## Introduction

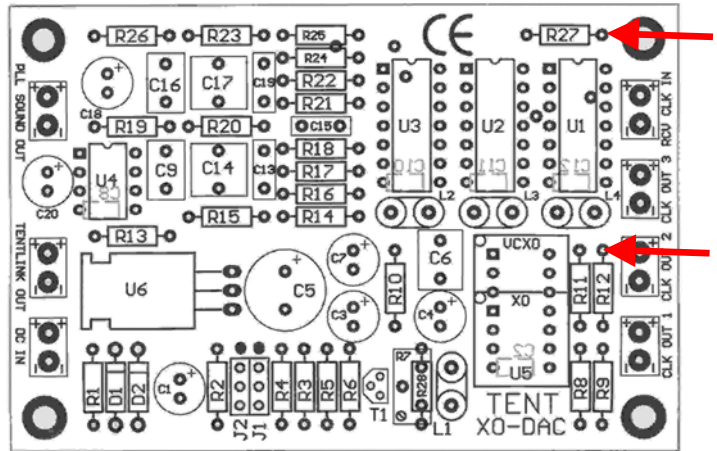
First generation XO DAC (PCB # PvV0238) does not include an easy adaptation to switch to TENT link mode. When XO DAC runs in master mode and XO3 runs in slave mode, i.e. when using TENT link, XO DAC needs below described adaptations.

## Tools and materials

Needed are:

- Soldering iron
- Solder
- Pair of tweezers
- Thin wiring (6 cm)
- Insulation sleeve fitting above wiring (2 cm)

## Modification



- Lift R27 and R12 need to at the indicated positions (red arrows)
- Carefully stretch both remaining wires from both resistors
- Rotate R27 about 90 degrees clockwise, so it points downwards, more or less between U1 and U2
- Slightly shift the upper (lifted and stretched leg) of R12 to the right (1 mm)

Now prepare 2 pieces of wiring (2.5 and 3.5 cm), remove 1 mm of insulation at both sides, and prepare them by applying some solder at both sides

- Solder each wire to the remaining end of the resistors (2.5cm to R27, 3.5cm to R12)
- Put 1 cm of sleeve over each wire, fully covering the solder joints at both resistors
- Solder the remaining end of wire from R27 to the free soldering island where R12 used to be
- Solder the remaining end of wire from R12 to the free soldering island where R27 used to be

Make sure everything soldered tight and no shorts are made.

Foto hier inplakken